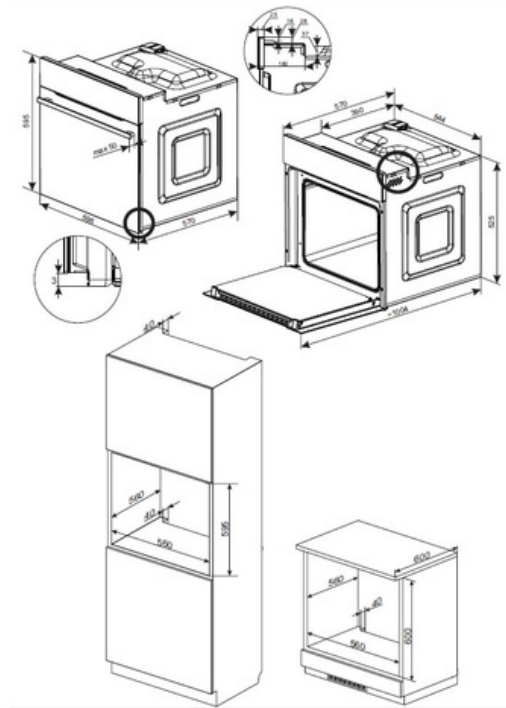


THOMSON

OVEN

Code : **TAO6EE9/S-FAN**



- Front color: inox
- Control knob colour: silver
- Handle colour: inox
- Cavity colour: black
- Cleaning system: steam clean
- Timer window
- Type of control: knobs
- Net oven capacity - main cavity (dm³): 65
- Cavity dimensions - main (HxWxD, mm): 372x435x400
- Number of baking levels : 5
- Max temperature in oven (°C): 250
- Energy source: electricity
- Total power of product (kW): 3,5
- Light power (W): 25
- Energy class: A
- Energy consumption for conventional mode (kWh): 0,99
- Energy consumption for fan-forced mode (kWh): 0,78